



**GUTTER SYSTEMS
SOFFITS**





GUTTER SYSTEMS SOFFITS

BRYZA is a group of products consisting of gutter systems and room soffits. Factors such as engineering expertise, modern technologies and highest-quality components supported by long-standing experience in the plastic processing industry have enabled the Celfast company to create high-quality systems and a reliable brand. Elements made of PVC are characterized by low weight, complete resistance to weather conditions and colour fastness confirmed by laboratory testing and ageing tests.



BRYZA gutter systems and soffit ceilings ensure attractive appearance and high quality of workmanship. The production technologies employed guarantee high durability of our products and long-term warranty coverage. The extensive palette of colours ensures freedom of designing attractive solutions for your house.

The BRYZA system is manufactured under supervision of the ISO 9001:2009 Quality Management System. The certificate confirms compliance with most stringent quality management standards in the company, as well as production safety and work organisation standards. Conformance to all requirements resulting from the certification process guarantees reliability and high quality of products.

10-year
warranty



BRYZA GUTTER SYSTEMS

Intended use	p. 6
Colours	p. 7
Features	p. 9
System elements / price list	p. 10-17
Description of elements	p. 18-19
System installation	p. 20-23



BRYZA GUTTER SYSTEMS

BRYZA GUTTER SYSTEM is a product of a well-established market position, launched at the beginning of 2004. BRYZA offers a complete system consisting of gutters of 75, 100, 125 and 150 mm half-round sections, pipe fittings and down pipes of three diameters, i.e. Ø 63, Ø 90, Ø 110 mm. Factors such as the discreet elegance of classic shapes, simplicity of assembly and eight colour options in four sizes meet all of our Clients' needs.

GUTTER ELEMENTS



DOWN PIPE ELEMENTS



GUTTER SYSTEMS – INTENDED USE

75 SYSTEM

75 mm gutter with a 63 mm down pipe. Small residential buildings, station roofs, garages balconies and attics.

125 SYSTEM

125 mm gutter with a 90 mm or 110 mm down pipe. Single and multi-family houses, apartment buildings, warehouses, public utility buildings, commercial and industrial facilities.

100 SYSTEM

100 mm gutter with a 90 mm or 63 mm down pipe. Single-family houses, small- and medium-sized warehouses, commercial and industrial facilities, public utility buildings.

150 SYSTEM

150 mm gutter with a 110 mm down pipe. Large housing, industrial and commercial objects.

GUTTER SYSTEMS COLOURING



WHITE / RAL 9010



BROWN / RAL 8017



RED / RAL 3011



GRAPHITE / RAL 7021



GREEN / RAL 6020



BLACK / RAL 9005



COPPER



BRICK / RAL 8004

WHY BRYZA GUTTER SYSTEMS?

FOUR SYSTEMS
ALL ROOFS

10-year
warranty

DESIGN

classic design of our products perfectly matches even the most modern construction styles

COLOUR FASTNESS

long-lasting gutter system colour fastness is ensured by using the highest-quality raw materials

TIGHTNESS

factors such as factors as specially selected cross-sections of gaskets and manufacturing accuracy ensure long-lasting tightness of our gutter systems

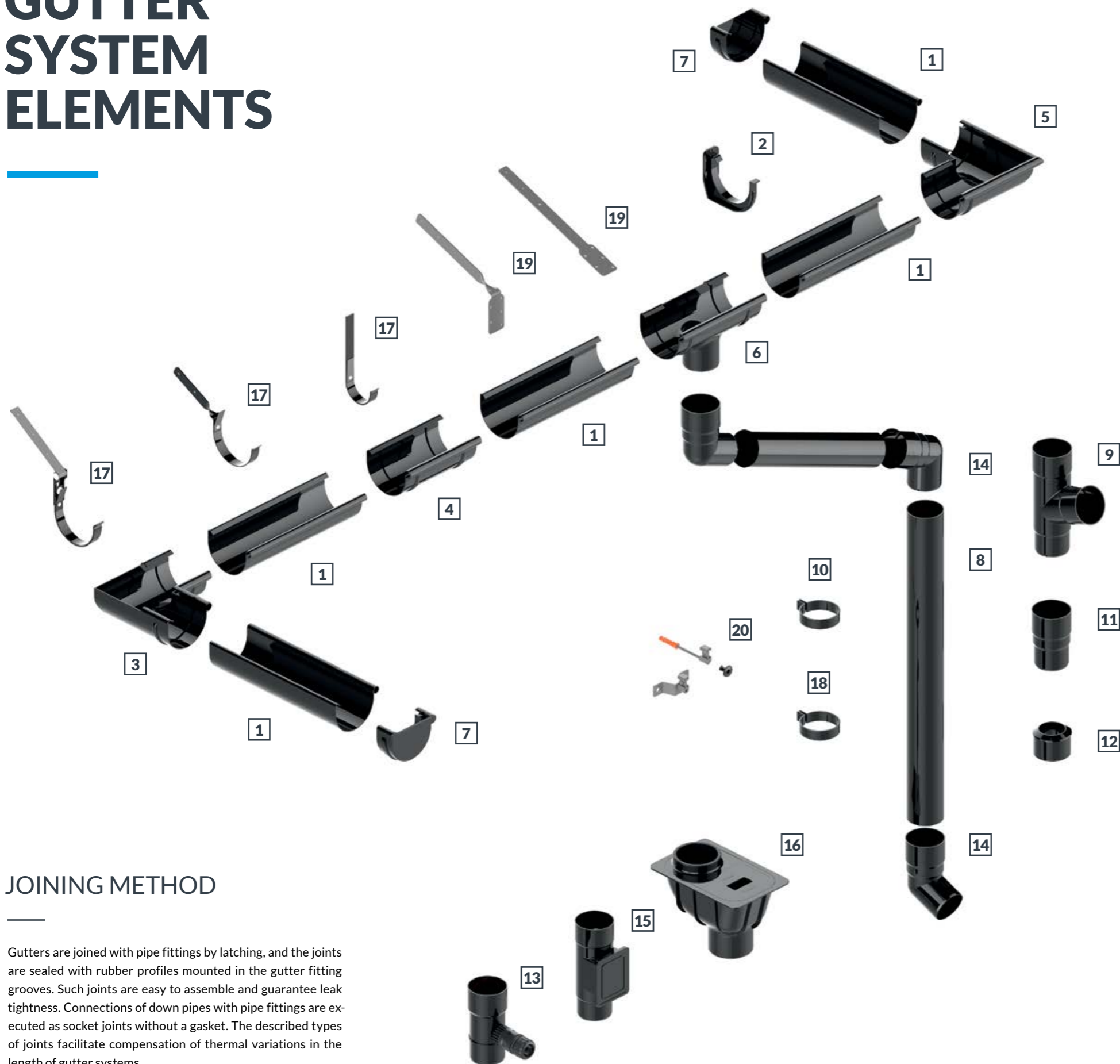
DEEP GUTTER

gutter cross-sections are designed to ensure collection of water from roofs, even during intensive precipitation

EASY INSTALLATION

the latch fastening method ensures fast and simple installation of gutter system elements

GUTTER SYSTEM ELEMENTS



JOINING METHOD

Gutters are joined with pipe fittings by latching, and the joints are sealed with rubber profiles mounted in the gutter fitting grooves. Such joints are easy to assemble and guarantee leak tightness. Connections of down pipes with pipe fittings are executed as socket joints without a gasket. The described types of joints facilitate compensation of thermal variations in the length of gutter systems.

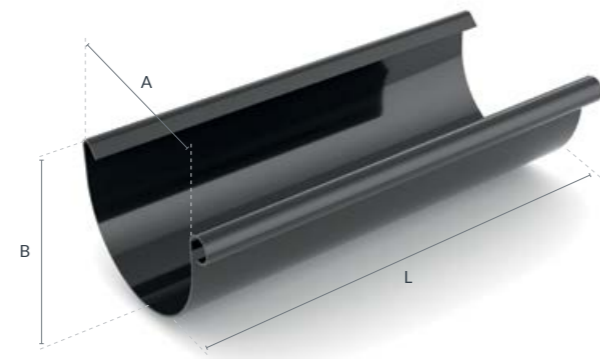
SYSTEM ELEMENTS

1. ROOF GUTTER 75, 100, 125, 150 MM; 3, 4 M
2. GUTTER HANGER 75, 100, 125, 150 MM
3. INNER CORNER 75*, 100*, 125**, 150* MM
4. GUTTER JOINT 75, 100, 125, 150 MM
5. OUTER CORNER 75*, 100*, 125**, 150* MM
6. DROP OUTLET 75/63, 100/63, 100/90, 125/90, 125/110, 150/110 MM
7. END CAP (RIGHT, LEFT) 75, 100, 125, 150 MM
8. DOWN PIPE 63, 90, 110 MM; 3, 4 M
9. T-PIPE 63/63, 90/90, 110/110 MM
10. DOWN PIPE CLAMPING RING (PVC) 63, 90, 110 MM
11. DOWN PIPE JOINT 63, 90, 110 MM
12. REDUCTION ADAPTER 90/63, 110/90 MM
13. RAINWATER RECLAIMER 63, 90 MM
14. ELBOW 63*, 90*, 110* MM
15. CLEAN-OUT 110 MM
16. SEDIMENT TRAP 110 / REDUCTION ADAPTER 110/63, 110/90, 110/100 MM
17. DOWN PIPE CLAMPING RING (METAL) 63, 90, 110 MM
18. METAL GUTTER BRACKET (STRAIGHT, TWISTED, ADJUSTABLE)
19. FASCIA BRACKET (STRAIGHT, TWISTED)
20. CLAMP HOOK / STABILISING FAÇADE FLANGE / DOWN PIPE CLAMP FASTENER FOR COMPOSITE PANELS

* possible to order products of any angle

** corner with an adjustable angle

1 ROOF GUTTER



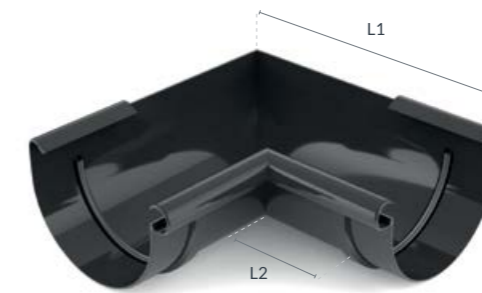
System	Length	White	Brown	Red	Graphite	Green	Brick	Copper	Black	A [mm]	B [mm]	L [mm]	Collective packaging [pieces]	Pallet [pieces]
75	4 m	60-001	60-002	60-003	60-004	60-005	60-006	-	60-009	75	57	4	3	252
	3 m	60-011	60-012	60-013	60-014	60-015	60-016	-	60-019	-	-	3	3	252
100	4 m	61-001	61-002	61-003	61-004	-	-	-	-	100	75,6	4	3	153
	3 m	61-011	61-012	61-013	61-014	-	-	-	-	-	-	3	3	153
125	4 m	62-001	62-002	62-003	62-004	62-005	62-006	62-007	62-009	125	94	4	5	130
	3 m	62-011	62-012	62-013	62-014	62-015	62-016	62-017	62-019	-	-	3	5	130
150	4 m	63-001	63-002	63-003	63-004	-	-	-	-	150	113,2	4	5	110
	3 m	63-011	63-012	63-013	63-014	-	-	-	-	-	-	3	5	110

2 GUTTER HANGER



System	Size	White	Brown	Red	Graphite	Green	Brick	Copper	Black	H [mm]	Collective packaging [pieces]	Pallet [pieces]
75	75 mm	60-071	60-072	60-073	60-074	60-075	60-076	-	60-079	85,3	64	11264
100	100 mm	61-071	61-072	61-073	61-074	-	-	-	-	116,7	44	5632
125	125 mm	62-071	62-072	62-073	62-074	62-075	62-076	62-077	62-079	135,3	65	4160
150	150 mm	63-071	63-072	63-073	63-074	-	-	-	-	157,7	50	3200

3 INNER CORNER



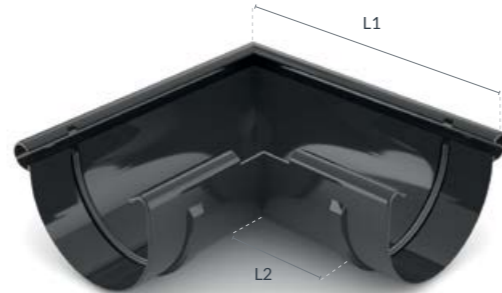
System	Angle	White	Brown	Red	Graphite	Green	Brick	Copper	Black	L1 [mm]	L2 [mm]	Collective packaging [pieces]	Pallet [pieces]
75	90°	60-051	60-052	60-053	60-054	60-055	60-056	-	60-059	145,5	55,5	18	1152
	any	60-251	60-252	60-253	60-254	60-255	60-256	-	60-259	-	-	18	-
	multidimensional.	60-250 BI	60-250 BR	60-250 CZ	60-250 GR	60-250 ZI	60-250 CE	-	60-250 CZE	-	-	-	-
100	90°	61-051	61-052	61-053	61-054	-	-	-	-	204,5	83,5	12	480
	any	61-251	61-252	61-253	61-254	-	-	-	-	-	-	12	-
	multidimensional.	61-250 BI	61-250 BR	61-250 CZ	61-250 GR	-	-	-	-	-	-	-	-
125	90°	62-051	62-052	62-053	62-054	62-055	62-056	62-057	62-059	248,5	97	10	280
	any	62-251	62-252	62-253	62-254	62-255	62-256	-	62-259	-	-	10	-
	multidimensional.	62-250 BI	62-250 BR	62-250 CZ	62-250 GR	62-250 ZI	62-250 CE	-	62-250 CZE	-	-	-	-
150	90°	63-051	63-052	63-053	63-054	-	-	-	-	271	91	8	160
	any	63-251	63-252	63-253	63-254	-	-	-	-	-	-	8	-
	multidimensional.	63-250 BI	63-250 BR	63-250 CZ	63-250 GR	-	-	-	-	-	-	-	-

4 GUTTER JOINT



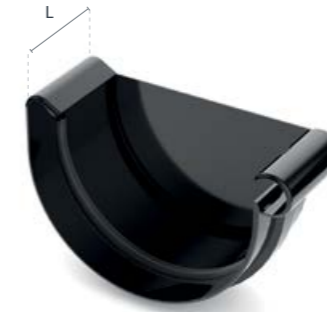
System	Size	White	Brown	Red	Graphite	Green	Brick	Copper	Black	L [mm]	Collective packaging [pieces]	Pallet [pieces]
75	75 mm	60-031	60-032	60-033	60-034	60-035	60-036	-	60-039	130	50	3200
100	100 mm	61-031	61-032	61-033	61-034	-	-	-	-	200	40	1120
125	125 mm	62-031	62-032	62-033	62-034	62-035	62-036	62-037	62-039	240	28	672
150	150 mm	63-031	63-032	63-033	63-034	-	-	-	-	240	20	480

5 OUTER CORNER



System	Angle	White	Brown	Red	Graphite	Green	Brick	Copper	Black	L1 [mm]	L2 [mm]	Collective packaging [pieces]	Pallet [pieces]
75	90°	60-061	60-062	60-063	60-064	60-065	60-066	-	60-069	155	64,5	18	1152
	any	60-261	60-262	60-263	60-264	60-265	60-266	-	60-269	-	-	18	-
	multidimensional.	60-260 BI	60-260 BR	60-260 CZ	60-260 GR	60-260 ZI	60-260 CE	-	60-260 CZE	-	-	-	-
100	90°	61-061	61-062	61-063	61-064	-	-	-	-	216,5	96,5	12	480
	any	61-261	61-262	61-263	61-264	-	-	-	-	-	-	12	-
	multidimensional.	61-260 BI	61-260 BR	61-260 CZ	61-260 GR	-	-	-	-	-	-	-	-
	adjustable	61-271	61-272	61-273	61-274	-	-	-	-	-	-	20	480
125	90°	62-061	62-062	62-063	62-064	62-065	62-066	62-067	62-069	264,5	114,5	10	280
	any	62-261	62-262	62-263	62-264	62-265	62-266	-	62-269	-	-	10	-
	multidimensional.	62-260 BI	62-260 BR	62-260 CZ	62-260 GR	62-260 ZI	62-260 CE	-	62-260 CZE	-	-	-	-
	adjustable	62-271	62-272	62-273	62-274	62-275	62-276	62-277	62-279	-	-	12	240
150	90°	63-061	63-062	63-063	63-064	-	-	-	-	290	111	8	160
	any	63-261	63-262	63-263	63-264	-	-	-	-	-	-	8	-
	multidimensional.	63-260 BI	63-260 BR	63-260 CZ	63-260 GR	-	-	-	-	-	-	-	-

7 END CAP



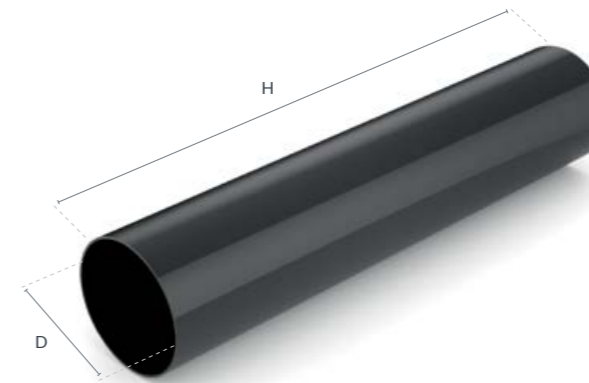
System	Type	White	Brown	Red	Graphite	Green	Brick	Copper	Black	L [mm]	Collective packaging [pieces]	Pallet [pieces]
75	right	60-081	60-082	60-083	60-084	60-085	60-086	-	60-089	31	54	9504
	left	60-091	60-092	60-093	60-094	60-095	60-096	-	60-099	31	54	9504
100	right	61-081	61-082	61-083	61-084	-	-	-	-	41	24	4224
	left	61-091	61-092	61-093	61-094	-	-	-	-	41	24	4224
125	right	62-081	62-082	62-083	62-084	62-085	62-086	62-087	62-089	51	20	2560
	left	62-091	62-092	62-093	62-094	62-095	62-096	62-097	62-099	51	20	2560
150	right	63-081	63-082	63-083	63-084	-	-	-	-	51	10	1760
	left	63-091	63-092	63-093	63-094	-	-	-	-	51	10	1760

6 DROP OUTLET



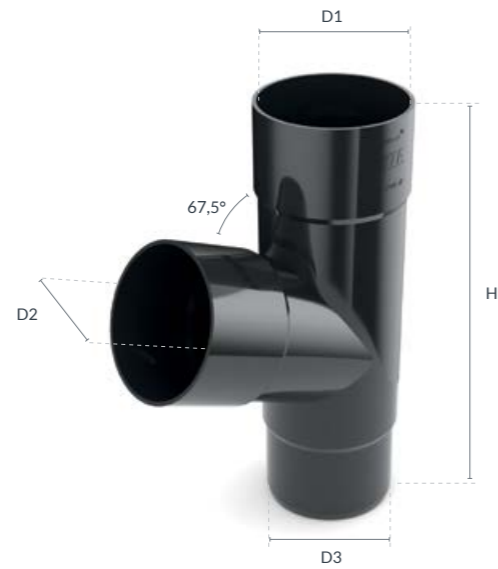
System	Size	White	Brown	Red	Graphite	Green	Brick	Copper	Black	D [mm]	L [mm]	Collective packaging [pieces]	Pallet [pieces]
75	75/63 mm	60-041	60-042	60-043	60-044	60-045	60-046	-	60-049	63	160	10	1280
100	100/63 mm	61-101	61-102	61-103	61-104	-	-	-	-	90	240	12	480
	100/90 mm	61-041	61-042	61-043	61-044	-	-	-	-	90	240	9	360
125	125/90 mm	62-041	62-042	62-043	62-044	62-045	62-046	62-047	62-049	90	280	16	320
	125/110 mm	62-101	62-102	62-103	62-104	-	-	-	-	110	280	16	320
150	150/110 mm	63-041	63-042	63-043	63-044	-	-	-	-	110	300	10	200

8 DOWN PIPE



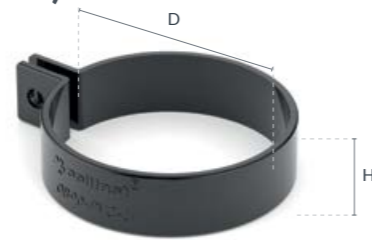
System	Length	White	Brown	Red	Graphite	Green	Brick	Copper	Black	D [mm]	H [m]	Collective packaging [pieces]	Pallet [pieces]
63	4 m	60-111	60-112	60-113	60-114	60-115	60-116	-	60-119	63	4	5	90
	3 m	60-121	60-122	60-123	60-124	60-125	60-126	-	60-129	63	3	5	90
90	4 m	62-111	62-112	62-113	62-114	62-115	62-116	62-117	62-119	90	4	5	60
	3 m	62-121	62-122	62-123	62-124	62-125	62-126	62-127	62-129	90	3	5	60
110	4 m	63-111	63-112	63-113	63-114	-	-	-	-	110	4	5	45
	3 m	63-121	63-122	63-123	63-124	-	-	-	-	110	3	5	45

9 T-PIPE



System	Size	White	Brown	Red	Graphite	Green	Brick	Copper	Black	D1 [mm]	D2 [mm]	D3 [mm]	H [mm]	Collective packaging [pieces]	Pallet [pieces]
63	63 mm	60-171T	60-172T	60-173T	60-174T	60-175T	60-176T	-	60-179T	-	-	-	-	12	-
90	90 mm	62-171	62-172	62-173	62-174	62-175	62-176	62-177	62-179	90,2	90,2	84,5	245	15	300
110	110 mm	63-171	63-172	63-173	63-174	-	-	-	-	110,4	110,4	104,5	310	8	192

10 DOWN PIPE CLAMPING RING (PVC)



System	Size	White	Brown	Red	Graphite	Green	Brick	Copper	Black	D [mm]	H [mm]	Collective packaging [pieces]	Pallet [pieces]
63	63 mm	60-151	60-152	60-153	60-154	60-155	60-156	-	60-159	63	25	84	14784
90	90 mm	62-151	62-152	62-153	62-154	62-155	62-156	62-157	62-159	90	25	50	8800
110	110 mm	63-151	63-152	63-153	63-154	-	-	-	-	110	25	96	6144

11 DOWN PIPE JOINT



System	Size	White	Brown	Red	Graphite	Green	Brick	Copper	Black	D1 [mm]	D2 [mm]	H [mm]	Collective packaging [pieces]	Pallet [pieces]
63	63 mm	60-131	60-132	60-133	60-134	60-135	60-136	-	60-139	63,3	57,5	117	36	4608
90	90 mm	62-131	62-132	62-133	62-134	62-135	62-136	62-137	62-139	90,2	84,5	145	36	1440
110	110 mm	63-131	63-132	63-133	63-134	-	-	-	-	110,4	104,5	155	40	1120

12 REDUCTION ADAPTER



System	Size	White	Brown	Red	Graphite	Green	Brick	Copper	Black	D1 [mm]	D2 [mm]	H [mm]	Collective packaging [pieces]	Pallet [pieces]
90/63	90/63 mm	62-161	62-162	62-163	62-164	62-165	62-166	-	62-169	63,2	90	63,9	20	2560
110/90	110/90 mm	63-161	63-162	63-163	63-164	63-165	63-166	63-167	63-169	90,2	110	66,9	24	1536

13 RAINWATER RECLAIMER



System	Size	White	Brown	Red	Graphite	Green	Brick	Copper	Black	D [mm]	H [mm]	Collective packaging [pieces]	Pallet [pieces]
63	63 mm	60-201	60-202	60-203	60-204	60-205	60-206	-	60-209	63	126	12	-
90	90 mm	62-201	62-202	62-203	62-204	62-205	62-206	62-207	62-209	90	195	6	768

14 ELBOW



System	Size	White	Brown	Red	Graphite	Green	Brick	Copper	Black	D1 [mm]	D2 [mm]	H [mm]	Collective packaging	
													[pieces]	Pallet [pieces]
63	63 mm	60-141	60-142	60-143	60-144	60-145	60-146	-	60-149	63,3	57,5	147	14	1792
	63 mm (any angle)	60-150 BI	60-150 BR	60-150 CZ	60-150 GR	60-150 ZI	60-150 CE	-	60-150 CZE	63,3	57,5	147	14	1792
90	90 mm	62-141	62-142	62-143	62-144	62-145	62-146	62-147	62-149	90,2	84,5	104,5	36	720
	90 mm (any angle)	62-150 BI	62-150 BR	62-150 CZ	62-150 GR	62-150 ZI	62-150 CE	-	62-150 CZE	90,2	84,5	104,5	36	720
110	110 mm	63-141	63-142	63-143	63-144	-	-	-	-	110,4	104,5	218	16	384
	110 mm (any angle)	63-150 BI	63-150 BR	63-150 CZ	63-150 GR	-	-	-	-	110,4	104,5	218	16	384

15 CLEAN-OUT



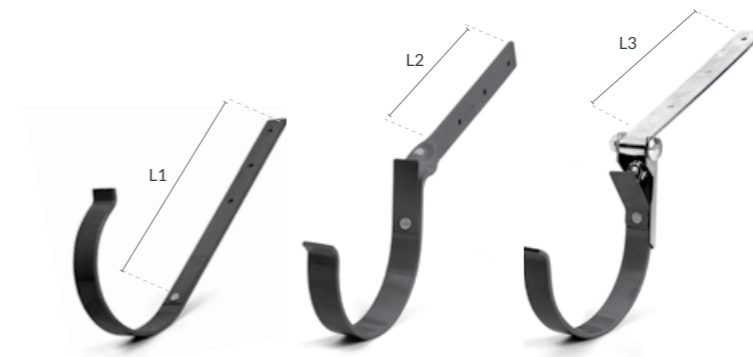
System	Size	White	Brown	Red	Graphite	Green	Brick	Copper	Black	D1 [mm]	D2 [mm]	H [mm]	Collective packaging	
													[pieces]	Pallet [pieces]
110	110 mm	69-001	69-002	69-003	69-004	69-005	69-006	69-007	69-009	110,4	104,5	310	8	224

16 SEDIMENT TRAP / REDUCTION ADAPTER



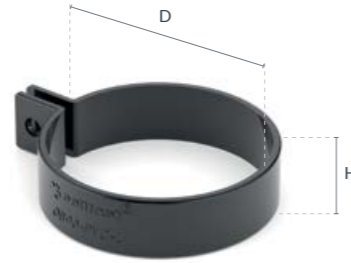
Name	Size	Brown	Graphite	Green	Black	A [mm]	H [mm]	L [mm]	Collective packaging	
									[pieces]	Pallet [pieces]
Sediment trap	110 mm	63-212	63-214	63-218	63-219	193	219	293	2	128
Sediment reduction adapter (EPDM / rubber)	110/100 mm	-	-	-	63-242	-	-	-	25	4400
Sediment reduction adapter	110/90 mm	63-222	63-224	63-228	63-229	-	-	-	18	3168
Sediment reduction adapter	110/63 mm	63-232	63-234	63-238	63-239	-	-	-	18	3168

17 METAL GUTTER BRACKET



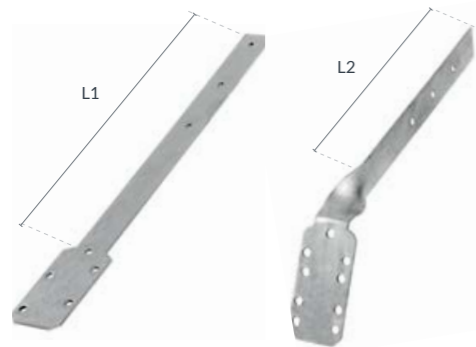
System	Type	White	Brown	Red	Graphite	Green	Brick	Black	L1 [mm]	L2 [mm]	L3 [mm]	Collective packaging	
												[pieces]	Pallet [pieces]
75	straight	70-121	70-021	70-221	70-321	70-110	70-109	70-421	171	-	-	50	2450
	twisted	70-122	70-022	70-222	70-322	70-210	70-209	70-422	-	105	-	50	2450
	adjustable	70-123	70-023	70-223	70-323	70-310	70-309	70-423	-	-	180	50	2100
100	straight	70-161	70-061	70-261	70-361	-	-	-	186	-	-	50	2450
	twisted	70-162	70-062	70-262	70-362	-	-	-	-	113	-	50	2100
	adjustable	70-103	70-003	70-203	70-303	70-308	70-307	70-403	-	-	180	25	1225
125	straight	70-101	70-001	70-201	70-301	70-108	70-107	70-401	240	-	-	40	1960
	twisted	70-102	70-002	70-202	70-302	70-208	70-207	70-402	-	165	-	30	1470
	adjustable	70-103	70-003	70-203	70-303	70-308	70-307	70-403	-	-	180	25	1225
150	straight	70-141	70-041	70-241	70-341	-	-	-	280	-	-	30	1470
	twisted	70-142	70-042	70-242	70-342	-	-	-	-	210	-	25	1225
	adjustable	70-143	70-043	70-243	70-343	-	-	-	-	-	180	25	900

18 DOWN PIPE CLAMPING RING (METAL)



System	Size	White	Brown	Red	Graphite	Green	Brick	Black	D [mm]	H [mm]	Collective packaging [pieces]	Pallet [pieces]
63	63 mm	70-135	70-035	70-235	70-335	70-410	70-409	70-435	63	25	50	2800
90	90 mm	70-115	70-015	70-215	70-315	70-408	70-407	70-415	90	25	50	2800
110	110 mm	70-155	70-055	70-255	70-355	-	-	-	110	25	50	2800

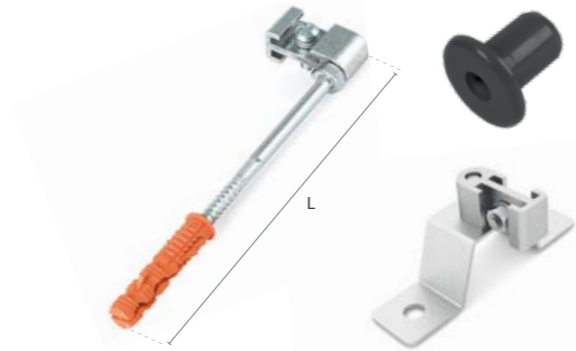
19 FASCIA BRACKET



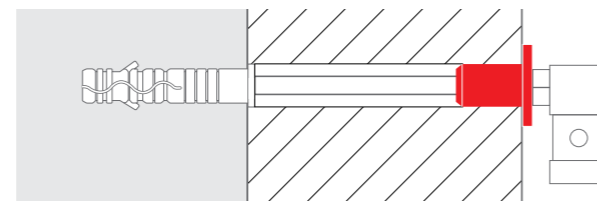
System	Type	Art. No.	L1 [mm]	L2 [mm]	Collective packaging [pieces]	Pallet [pieces]
75	straight	70-027	168	-	30	3900
	twisted	70-028	-	120	50	3000
100	straight	70-037	170	-	30	3900
	twisted	70-038	-	128	30	3900
125	straight	70-007	300	-	30	3900
150	twisted	70-008	-	235	50	3000

20 CLAMP HOOK / STABILISING FACADE CLAMP / DOWN PIPE CLAMP FASTENER FOR COMPOSITE PANELS

NEW



System	Size [L]	Art. No.	Collective packaging [pieces]	Pallet [pieces]
Universal	120 mm	70-004	100	9600
	160 mm	70-005	100	9600
	180 mm	70-006	100	9600
	220 mm	70-010	100	8000
	250 mm	70-019	100	8000
	350 mm	70-020	100	-
Universal	Stabilizing façade clamp	-	-	-
	Down pipe clamp fastener for composite panels	-	-	-
-	-	62-100	10	-
-	-	70-031	50	-



Stanowi uzupełnienie typowego haka do obejmy rury spustowej. Jego zadaniem jest stabilizacja haka do obejmy, szczególnie przy zastosowaniu dodatkowych warstw dociepleń budynku (styropian, wełna mineralna).

REPAIR SETS

21 REPAIR SET SEDIMENT TRAP ELEMENTS

NEW



System	Name	Brown	Black	Grey	Graphite	Collective packaging [pieces]	Pallet [pieces]
110	Sediment trap connection	A 63-282	63-289	63-288	63-284	12	2112
110	Sediment trap flap	B 63-292	63-299	63-298	63-294	16	2048
110	Sediment trap basket	C -	-	-	63-243	6	384

22 REPAIR SET ADHESIVE GASKETS

NEW



System	Size	Art. No.	L [mm]	Set [St.]	Collective packaging [set]	Pallet [pieces]
75	75 mm	60-290	135	30	36	-
100	100 mm	61-290	180	30	27	-
125	125 mm	62-290	220	30	18	-
150	150 mm	63-290	260	30	18	-

23 REPAIR SET CLEAN-OUT ELEMENTS

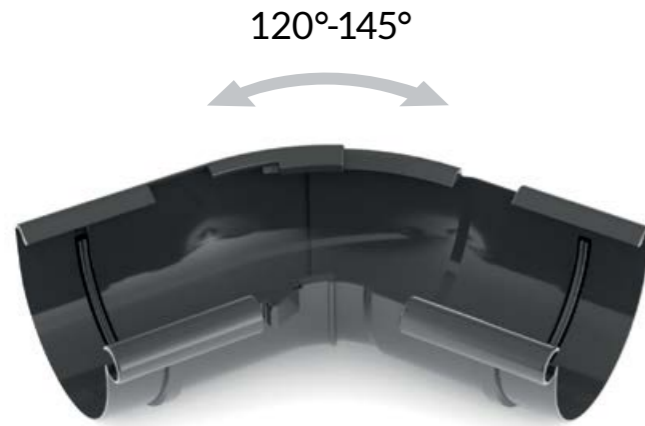
NEW



System	Name	White	Brown	Red	Graphite	Green	Brick	Copper	Black	Univ.	Collective packaging [pieces]	Pallet [pieces]
110	Cleaning gate valve	69-011	69-012	69-013	69-014	69-015	69-016	69-017	69-019	-	24	-
110	Cleaning strainer	-	-	-	-	-	-	-	-	69-020	24	-
110	Cleaning insert	-	-	-	-	-	-	-	-	69-021	25	-

3 OUTER / INNER CORNER
5 OF ANGLE ADJUSTABLE IN THE 120°-145° RANGE

NEW



Outer and inner corners in the 125 system, with an adjustable angle of flare and outer corners in the 100 system are in all colours.

It is an innovative product simplifying the assembly of gutter systems on non-standard roofs. It facilitates the assembly process, eliminates the necessity of making the side outlet pipe fittings by means of welding and reduces the waiting time.

It consists of two separate elements. We obtain a proper angle after prior comparison with the scale situated on the upper surface of the frontal flanging, and then we snap both elements achieving complete leak tightness of the product thanks to a special rubber gasket.

13 RAINWATER RECLAIMER



This element ensures extremely effective rainwater reclaim. It comes in all gutter system colours.

It is adapted to operate with 63* and 90 mm diameter down pipes, i.e. the most common sizes used in the construction industry. The element is provided with a connection and quick-release coupling (graphite colour) facilitating garden hose connection and discharging rainwater to a tank. An additional plug enables users to shut off the reclaimer outflow if necessary.

We recommend that reclaimer should be installed in locations not subjected to serious pollution (e.g. tree leaves). In case reclaimer cleaning is necessary, it should be flushed several times with pressurised water.

* 63 mm reclaimers are not equipped with strainers

16 SEDIMENT TRAP

This element connects the gutter system with a storm water sewage system (diameter 110 mm).

As a standard, it is adjusted to 110 mm diameter down pipes, however, it can also support such diameters as 100, 90 and 63 mm, provided a correct adapter is used.

It comes in four colour versions, i.e. brown, graphite, grey and black.

Its main function is to retain impurities flowing from roofs and prevent their discharge to storm water sewage systems. It is equipped with a large retaining basket connected with a tilting flap facilitating removal of impurities.

INSTALLATION

A sediment trap should be installed in the ground. It must be flushed with the final soil layer. In order to provide the necessary stability, pour concrete on the excavation bottom and connect the sewage system piping. After the final soil level is established, pour another layer of concrete around the sediment trap. Next, connect a down pipe.



GUTTER SYSTEM INSTALLATION

DETERMINING THE CORRECT GUTTER SIZE SYSTEM SELECTION

When choosing a gutter system, make sure that gutters and down pipes will receive water from the building roof surface. In order to do so, you have to calculate the so called **Effective Roof Surface**, which the system should drain. When calculating the effective roof surface make use of the following formula:

$$ERS = (A+B/2) \times C$$

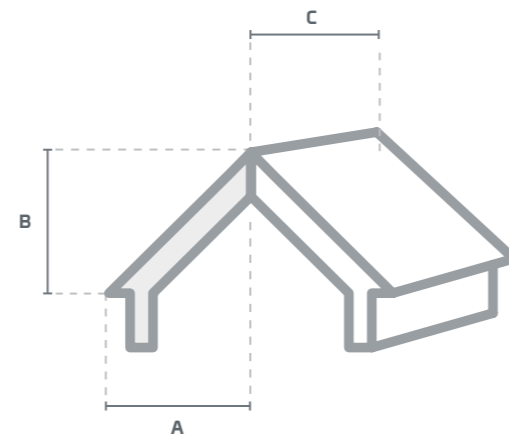
A - horizontal distance from the corner to the roof ridge (m)
 B - roof height (m)
 C - roof length (m)



INSTALLATION BASICS

Correct installation of a PVC gutter system guarantees its long-term durability and reliable operation, even in harsh weather conditions. In comparison with traditional solutions, the main advantage of our systems is the ability to compensate for thermal variations of individual element length. This is achieved thanks to a correct design of gutter and pipe fittings.

In gutters, it is obtained due to a slidable connection with pipe fittings equipped with flexible gaskets. In down pipes, this is ensured by means of an assembling clearance in the gutter-pipe fitting connections. Moreover, fastening elements such as gutter hangers and pipe clamps not only support the systems, but also compensate for any length variations.

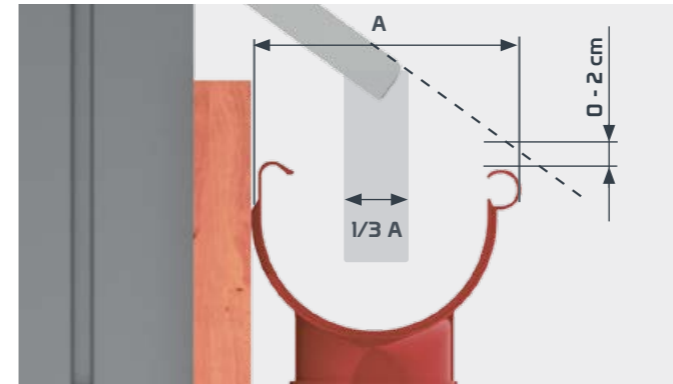


DOWN PIPE LOCATIONS	SYSTEM 75	SYSTEM 100	SYSTEM 125	SYSTEM 150
	75 mm gutter 63 mm down pipe	100 mm gutter 90 mm down pipe	125 mm gutter 90 mm down pipe	150 mm gutter 110 mm down pipe
Outlet in the centre	95 m ²	132 m ²	180 m ²	370 m ²
Outlet at the end	48 m ²	66 m ²	90 m ²	180 m ²

STORAGE AND TRANSPORT

Gutters and pipes should be stored on a flat surface in a horizontal position, on even ground beams and should be in contact with them on their entire length. The acceptable maximum storage height is up to 1m. Edges of stands and means of transport in contact with gutters should be secured by, e.g. thick paperboard or boards. Pipe fittings packed in paperboard boxes should be stored and transported under roofing.

During transport, the load must be fixed. It is recommended that loading and unloading operations are performed manually. When it is necessary to use mechanical equipment, special attention should be paid so as not to allow for local squeezing of elements or dropping them.



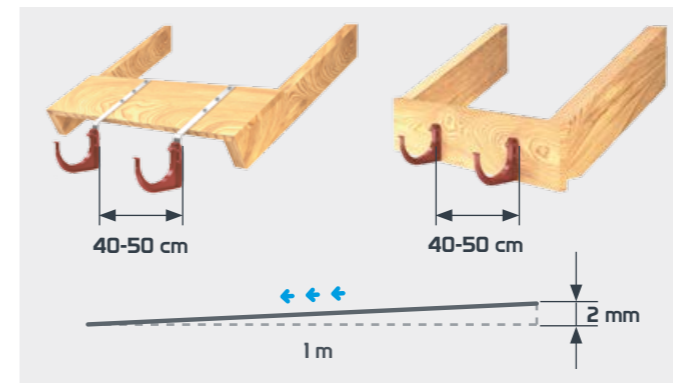
CORRECT LOCATION OF GUTTERS UNDER EAVES

Correct installation must protect gutters against impact of snow sliding down a roof. The upper edge of gutter flanging should not protrude over the extension of the roof surface, which is represented in the picture.



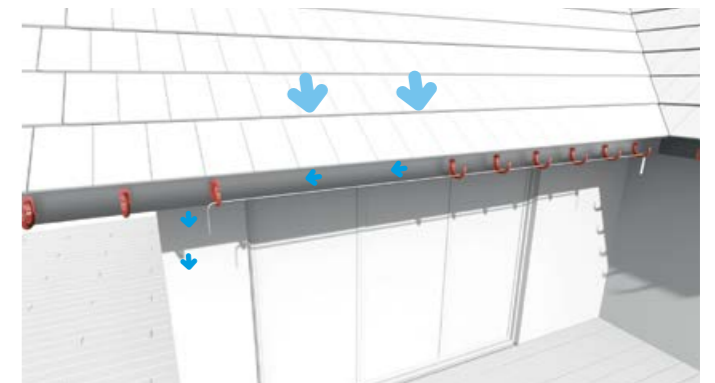
DETERMINING A DROP OUTLET LOCATION

The first step in the system installation process is to locate an outlet drop, i.e. the lowest element of the system roof section.



INSTALLATION OF HANGERS

PVC hangers with straight or twisted fascia boards, as well as straight or twisted steel hangers are mounted directly to the laths or rafters. The distance between the hangers should be 40-50 cm. In order to drain water properly, gutters should have a decline in the direction of the drop outlet of min. 2 mm per 1 m.



DETERMINING CORRECT GUTTER DECLINE

At first, mount the hanger located farthest from the drop outlet, and then the hanger next to the drop outlet. Extend two strings between the hangers and establish the correct decline of the gutter. PVC hangers are mounted directly to the face board.



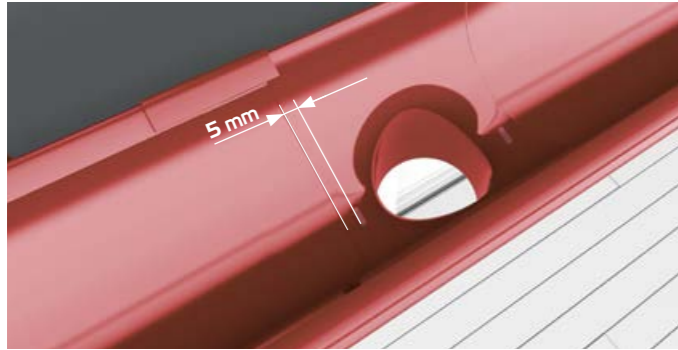
CUTTING GUTTERS AND DOWN PIPES TO LENGTH

Cut a gutter into suitable length, at the right angle, by means of a fine-teeth saw.



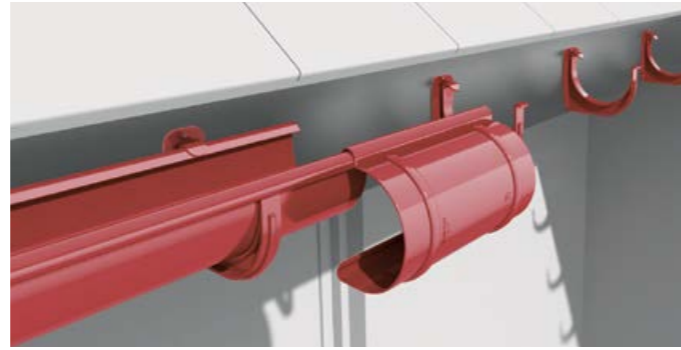
INSTALLATION OF GUTTERS IN HANGERS

In PVC and metal hangers, the installation process should begin with putting the pipe flanging into the front nose of the hanger and then forcing in the internal part of the gutter under the rear nose.



INSTALLATION OF A DROP OUTLET

A corner, drop outlet and gutter joint should be mounted together by inserting onto the front gutter flanging and latching on the rear gutter flanging. Gutter ends should be situated around 5 mm in front of the limiters. While connecting, pay attention to a correct position of gas-



kets located in drop outlets, joints and corners, as well as to the limiters located on internal surfaces of these elements. We also recommend mounting additional gutter hangers on the gutter-gutter joint and gutter-drop outlet connections.



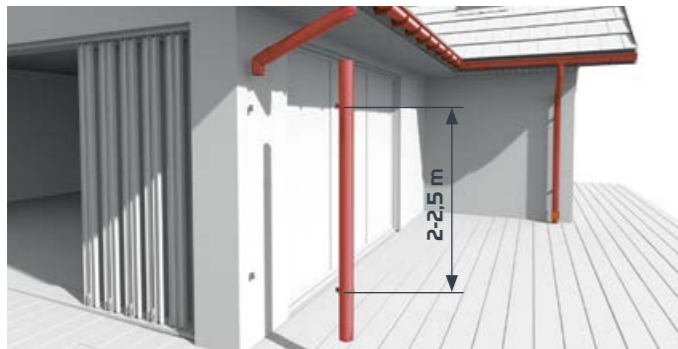
INSTALLATION OF AN END CAP

Installation of an end cap should be should start from inserting it into the frontal flanging of the gutter and latching it on the rear flanging. Pay attention to the correct position of the seals.



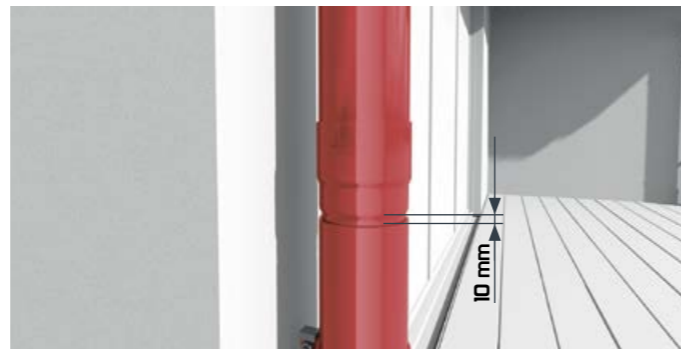
INSTALLATION OF A DOWN PIPE UNDER EAVES

Join down pipes with drop outlets, elbows and connectors using the push-fit system. In case the eaves protrude over 10 cm beyond the wall, the set-off should be extended by a section of a down pipe. Mount the elements in the following order: pipe elbow, pipe, pipe elbow and down pipe. Leave a 10 mm clearance to compensate for thermal expansion of the pipe.



INSTALLATION OF CLAMPS

Clamps are fixed to a wall using clamp hooks of correct length. If necessary, an additional supporting façade flange is used. Clamps on down pipes should be spaced at least every 2-2.5 m.



INSTALLATION OF DOWN PIPE JOINTS

Connect down pipes using the push-fit system. Leave a 10 mm clearance in a joint socket to compensate for thermal expansion of the pipe.



INSTALLATION OF A RAINWATER RECLAIMER

We recommend that a reclaimer should be installed in locations not subjected to serious pollution (e.g. tree leaves). In case the reclaimer cleaning is necessary, it should be flushed several times with pressurised water.



INSTALLATION OF A CLEAN-OUT

A clean-out should be mounted on the lower down pipe section when a gutter system is to be connected to a sewer system. Each clean-out comes with a strainer collecting impurities from a gutter. The whole assembly is secured with a tight cover. The passage between a 110 mm diameter clean-out and a 90 mm diameter pipe may be connected using a reduction adapter.



INSTALLATION OF A SEDIMENT TRAP

A sediment trap should be installed in the ground. It must be flushed with the final soil layer. In order to provide the necessary stability, pour concrete on an excavation bottom and connect the sewage system piping. After the final soil level is established, pour another layer of concrete around the sediment trap. Next, connect a down pipe.

SEE
TRAINING MOVIE CLIP



Scan the QR code
or visit
www.rynnybryza.pl



BRYZA SOFFIT CEILINGS

Colours	s. 26-27
Features	s. 29
System elements	s. 30-31
Installation of a soffit ceiling	s. 32-34



BRYZA SOFFIT CEILINGS

BRYZA SOFFIT is delivered as a complete solution comprising a solid and perforated board, J and H strips, as well as an outer corner strip. BRYZA SOFFIT ensures an aesthetic and durable roof finish. The product is fully weatherproof and does not require any maintenance or painting.

Soffit colours match the gutter system colours. Our range also includes colours perfectly imitating natural timber in order to match them with window- and door-frame woodwork.



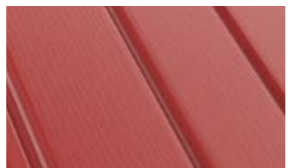
COLOURS TRADITIONAL SOFFIT



WHITE / RAL 9010



BROWN / RAL 8017



RED / RAL 3011



GRAPHITE / RAL 7021



GREEN / RAL 6020

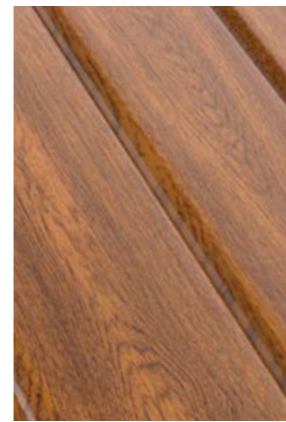


BLACK / RAL 9005

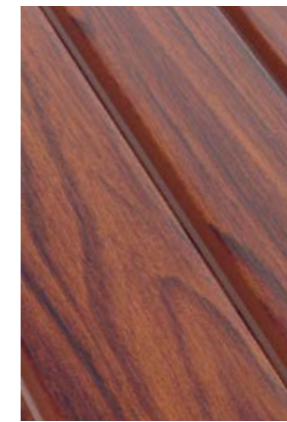


BRICK / RAL 8004

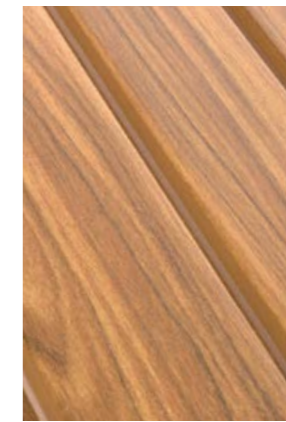
COLOURS LAMINATED WOOD-LIKE SOFFIT



GOLDEN OAK



HAZEL



GOLDEN HAZEL



CLASSIC HAZEL

WHY SOFFIT GUTTER SYSTEMS?

BEST CHOICE
LONG-LASTING SATISFACTION

10-year
warranty

WOOD TEXTURE

a soffit ceiling finished with a texture and wood-like veneer perfectly imitates natural characteristics of timber

COHESION OF COLOURS

an extensive range of colours matching the gutter system colours gives an effective finishing touch to all roofs

LOW WEIGHT

low weight of our systems facilitates installation on delicate structures without any loads imposed on roof structures.

FAST INSTALLATION

precision of soffit elements guarantees easy and fast installation

MAINTENANCE-FREE

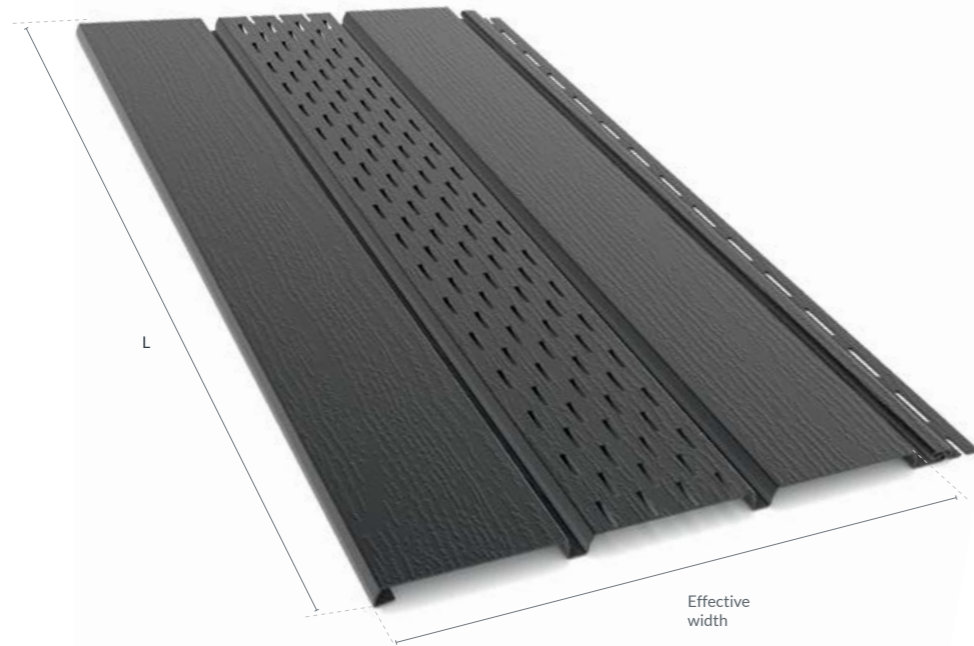
the soffit element material is so durable that no care or maintenance activities are required

01 SOLID CEILING BOARD



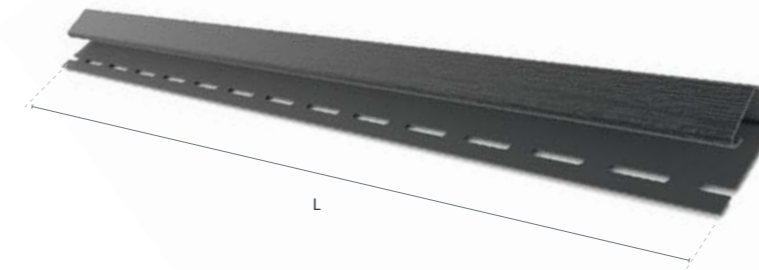
Colour	White	Brown	Red	Graphite	Green	Brick	Black	Golden oak	Hazel	Golden hazel	Classic hazel	Effective width [mm]	L [m]	Collective packaging [pieces]	Pallet [pieces]
Art. Nr.	80-001	80-002	80-003	80-004	80-005	80-006	80-109	80-007	80-008	80-009	80-010	305	4	18	108

02 PERFORATED CEILING BOARD



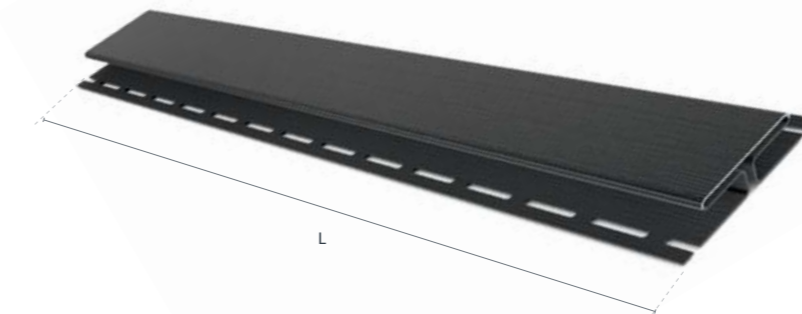
Colour	White	Brown	Red	Graphite	Green	Brick	Black	Golden oak	Hazel	Golden hazel	Classic hazel	Effective width [mm]	L [m]	Collective packaging [pieces]	Pallet [pieces]
Art. Nr.	80-011	80-012	80-013	80-014	80-015	80-016	80-119	80-017	80-018	80-019	80-020	305	4	18	108

03 J STRIP



Colour	White	Brown	Red	Graphite	Green	Brick	Black	Golden oak	Hazel	Golden hazel	Classic hazel	L [m]	Collective packaging [pieces]	Pallet [pieces]
Art. Nr.	80-021	80-022	80-023	80-024	80-025	80-026	80-129	80-027	80-028	80-029	80-030	4	30	450

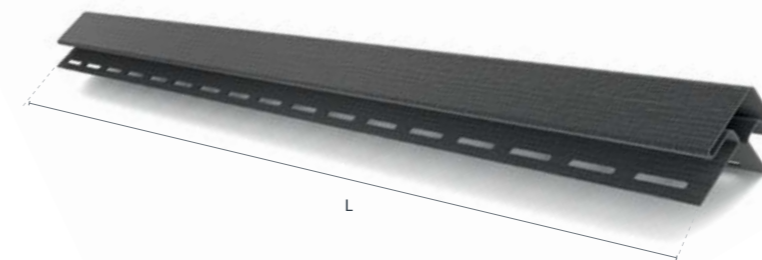
04 H STRIP



Colour	White	Brown	Red	Graphite	Green	Brick	Black	Golden oak	Hazel	Golden hazel	Classic hazel	L [m]	Collective packaging [pieces]	Pallet [pieces]
Art. Nr.	80-031	80-032	80-033	80-034	80-035	80-036	80-139	80-037	80-038	80-039	80-040	3	24	240

05 CORNER STRIP OUTER

NEW



Colour	White	Brown	Red	Graphite	Green	Brick	Black	Golden oak	Hazel	Golden hazel	Classic hazel	L [m]	Collective packaging [pieces]	Pallet [pieces]
Art. Nr.	80-041	80-042	80-043	80-044	80-045	80-046	80-149	80-047	80-048	80-049	80-050	3	12	180

INSTALLATION OF A SOFFIT CEILING

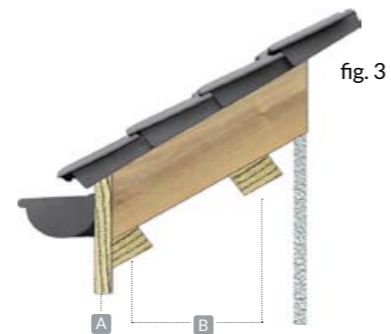
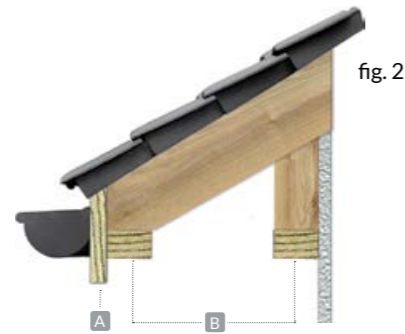
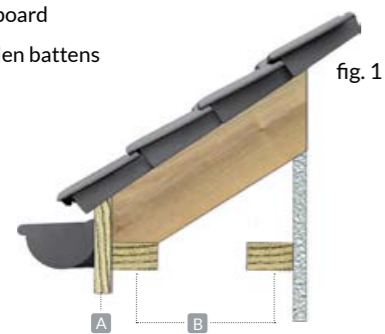
EXAMPLE OF CONSTRUCTING A SUPPORTING STRUCTURE

A soffit should be mounted to a supporting structure made of dry impregnated wooden battens with the minimum dimensions of 25 x 50 mm. The structure should be properly levelled. The maximum spacing of battens should not exceed 40 cm. It is recommended that soffit

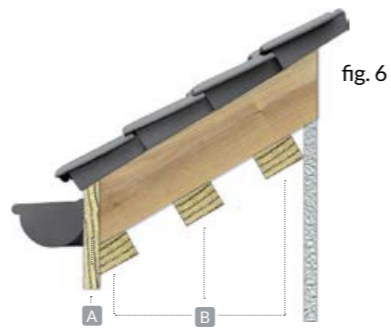
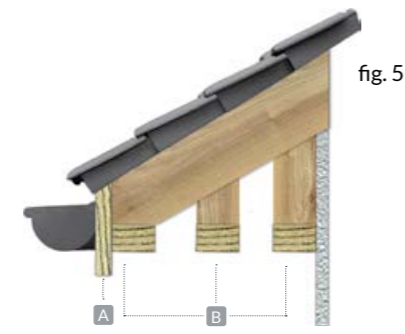
boards should be mounted perpendicularly to the wall surface. The installation should be performed in the ambient temperature over +5°C. The BRYZA soffit should not be mounted in places exposed to direct sunlight.

EAVES PROTRUSION UP TO 40 CM

- A face board
- B wooden battens



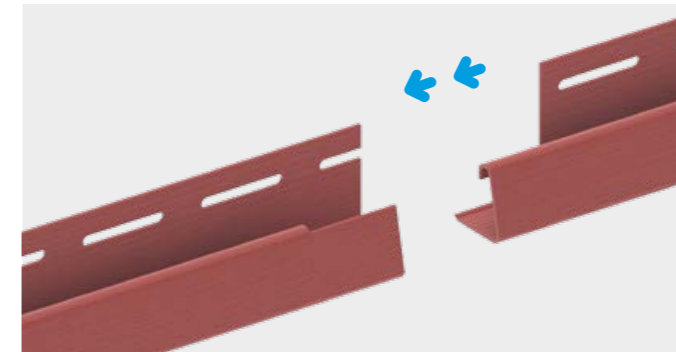
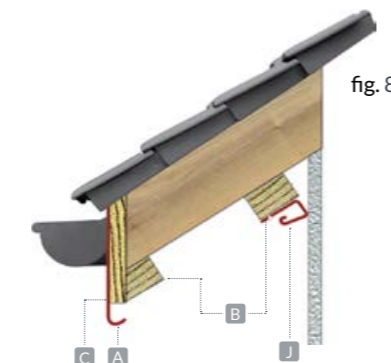
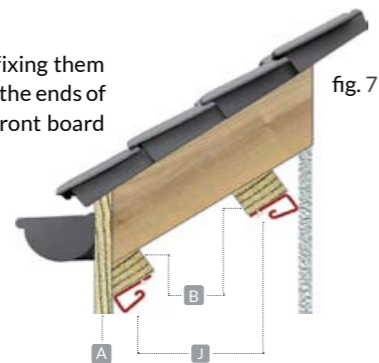
EAVES PROTRUSION OVER 40 CM



INSTALLATION OF A J STRIP

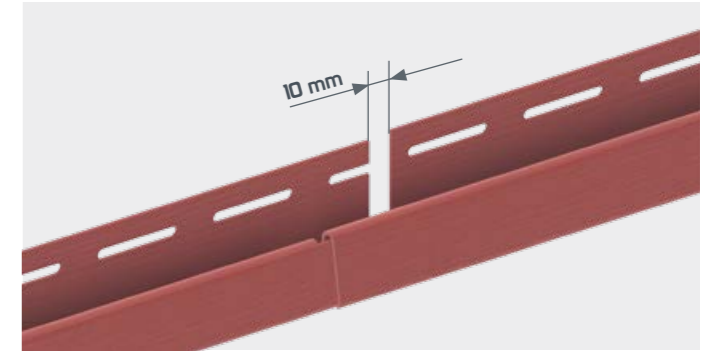
J strips are mounted on the perimeter of the built roof by fixing them to the battens with spacing of approximately 30 cm. One of the ends of the soffit board may be mounted to the properly formed front board flashing instead of a J strip (fig. 8).

- A face board
- B wooden battens
- C flashing
- J J strips



CONNECTING THE STRIPS

J strips are connected with an overlap, i.e. by making a cut-out to compensate for temperature-related length variations.



INSTALLATION OF SOFFIT ELEMENTS TO A SUPPORTING STRUCTURE

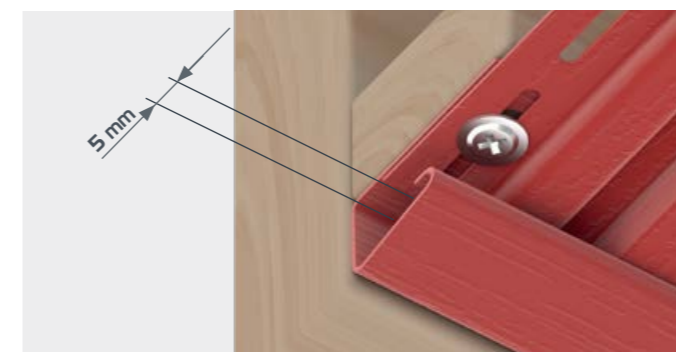


Soffit elements are mounted to a supporting structure by means of corrosion-protected screws (minimum length 20 mm and minimum head size 8 mm).



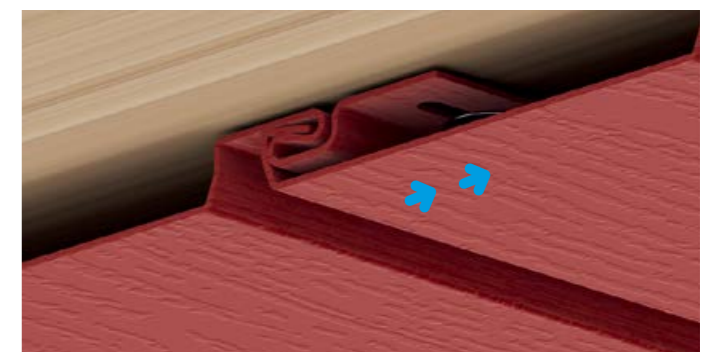
The screws should be driven perpendicularly to the ground in the middle of mounting holes leaving around 1 mm clearance (in order to compensate for temperature-related length variations).

INSTALLATION OF CEILING BOARDS



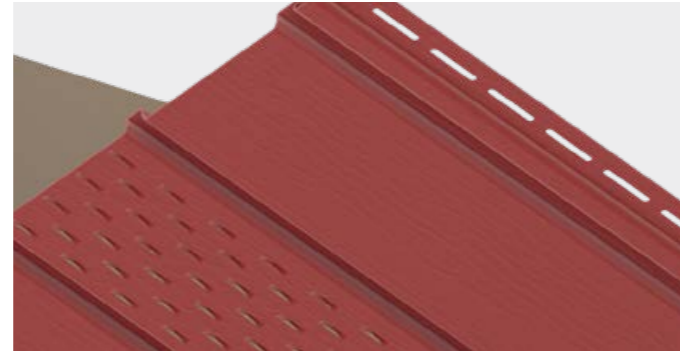
CUTTING THE CEILING BOARDS TO LENGTH

Ceiling boards must be cut to length in such a manner that the strips have 5 mm clearance to compensate for temperature-related length variations.



CONNECTING THE CEILING BOARDS

Subsequent boards must be fixed to previously mounted ones.



INSTALLATION OF PERFORATED CEILING BOARDS

Perforated boards should be mounted as every third or every fourth panel in order to obtain proper ventilation of the roof.

INSTALLATION OF H STRIPS



LOCATION OF AN H STRIP

There are two methods of finishing a soffit ceiling in building corners, using H strips.

CERTIFICATES

ISO 9001:2009 QUALITY MANAGEMENT SYSTEM CERTIFICATE

ISO 9001:2009 Quality Management System Certificate for manufacturing and sales of plastic products.

BRYZA GUTTER SYSTEM

Certificate of Conformity ITB-0717/W

A certificate confirming conformity of BRYZA Gutter System elements to applicable requirements of the following standards: PN-EN 607:2005, PN-EN 12200-1:2002 and PN-EN 1462:2005.

National Declaration of Conformity

Declaration of conformity of BRYZA Gutter System elements to technical specifications resulting from the following standards: PN-EN 607:2005, PN-EN 12200-1: 2002, PN-EN 1462:2006.

Hygienic Approval PZH HK/B/1508/01/2013

Approval confirming conformity of BRYZA Gutter System elements to applicable hygienic requirements

BRYZA SOFFIT

Technical Approval ITB AT-15-7627/2015

National Declaration of Conformity

Declaration of conformity of BRYZA Moffitt elements to technical specifications resulting from the following standards: PN-EN 607:2005, PN-EN 12200-1: 2002, PN-EN 1462:2006.

10-year warranty



Cellfast Sp. z o.o.
ul. Grabskiego 31, PL 37-450 Stalowa Wola
Commercial Department
ul. Drzymały 41, PL 38-400 Krosno
phone: +48 13 43 254 16 / +48 13 43 254 37
fax +48 13 42 012 20 / +48 13 43 661 44
e-mail: bryza@cellfast.com.pl
rynnybryza.pl

