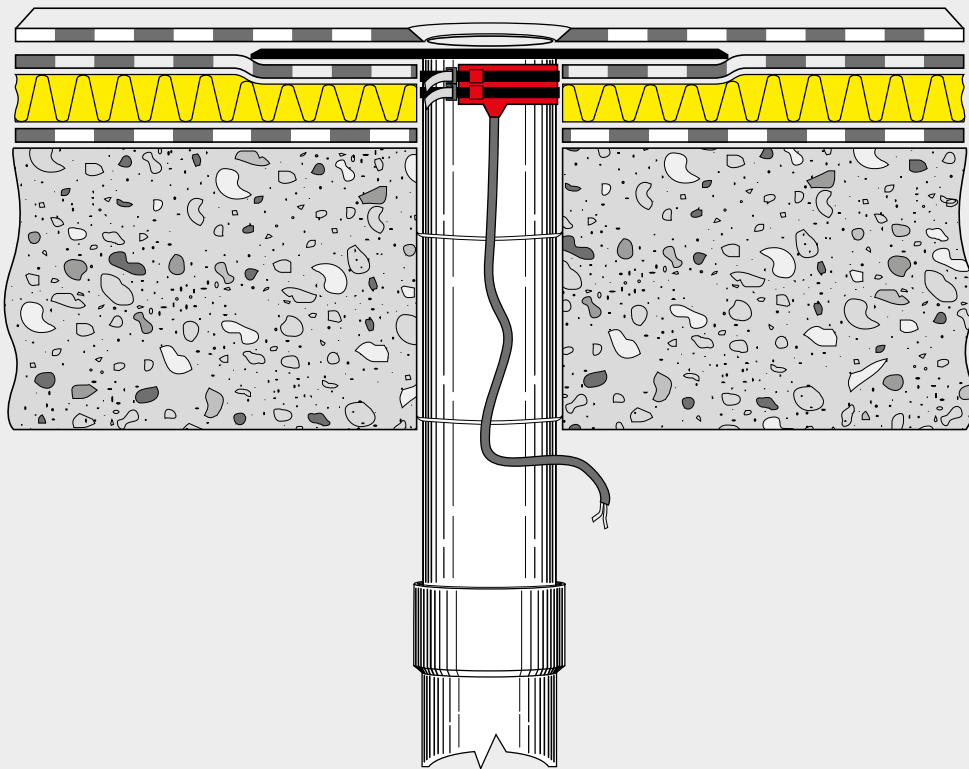
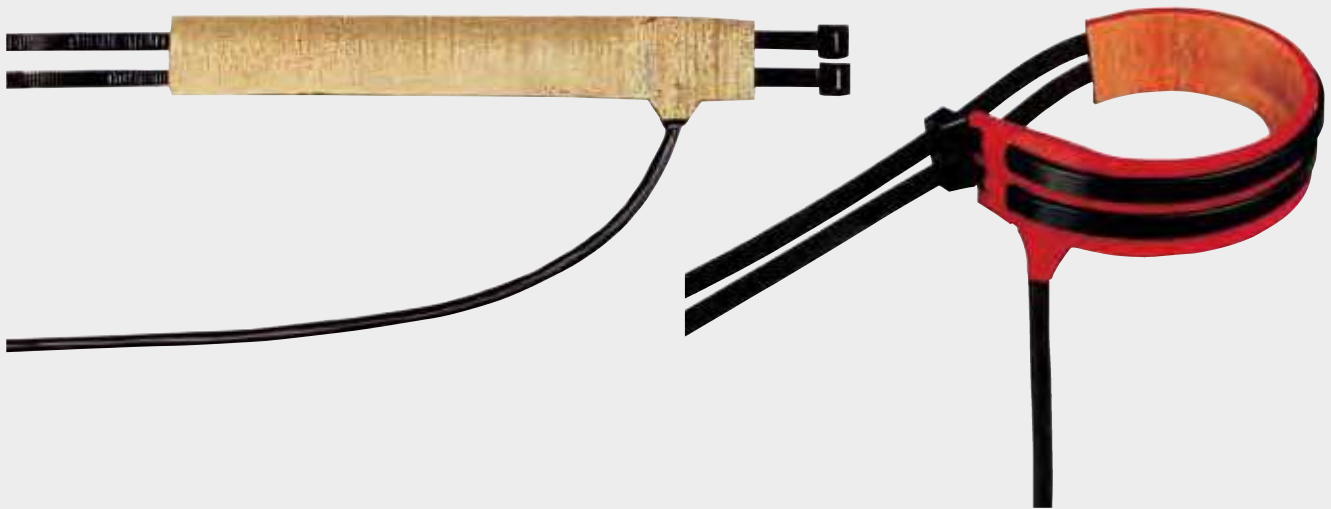


10.8 ELECTRIC DRAIN HEATING TAPES



ITALPROFILI® **HEATING TAPE SYSTEM** is the perfect answer the overcoming the freezing problem of outlets and pipes of all types, whether fitted on new applications or as a retro fit product. Installation is quick and easy as the tapes need only to be positioned around the pipe and tightened in place using the fasteners.

The tapes run on 220 volt without the need for a transformer.

APPLICATIONS

- Roof drains in various thermoplastic materials: IGOM, PVC-P, TPO and HDPE.
- On PVC-P, PP, HDPE and various metal downspouts.

HOW TO USE

The heating tape should have an on/off switch and should only be used when necessary. Continuous use is not recommended.

TECHNICAL DATA SHEET

- Flexible laminate heater element 230 Volts 8 Watt, maximum temperature (175), element temperature 80°C, tested to EN 60335-1 (except paragraph 30).
- Standard technical reference, CEI EN 60335-1:2004 + V1, V2, V3.
- Insulated with vulcanised silicone rubber.

- External glass fabric covering on the outside.
- 2 Polyamide straps 6/6 mm. 750x7,8.
- 2 phase electric cable diam. 6,5 mm. x 500 mm. with vulcanized silicone rubber insulation.
- Dimensions: length 220x32 mm. thickness 3,4 mm.